



(Pages : 2)

A – 4176

Reg. No. : .....

Name : .....

**Fourth Semester B.Tech. Degree Examination, June 2016**  
**(2013 Scheme)**  
**13.406 : MACHINE DRAWING (M)**

Time : 4 Hours

Max. Marks : 100

**PART – A**

Answer **any two** questions. **Each** question carries **10** marks.

1. Indicate different methods of showing surface roughness.
2. Show different methods of indicating surface texture.
3. What is meant by hole basis and shaft basis system ?

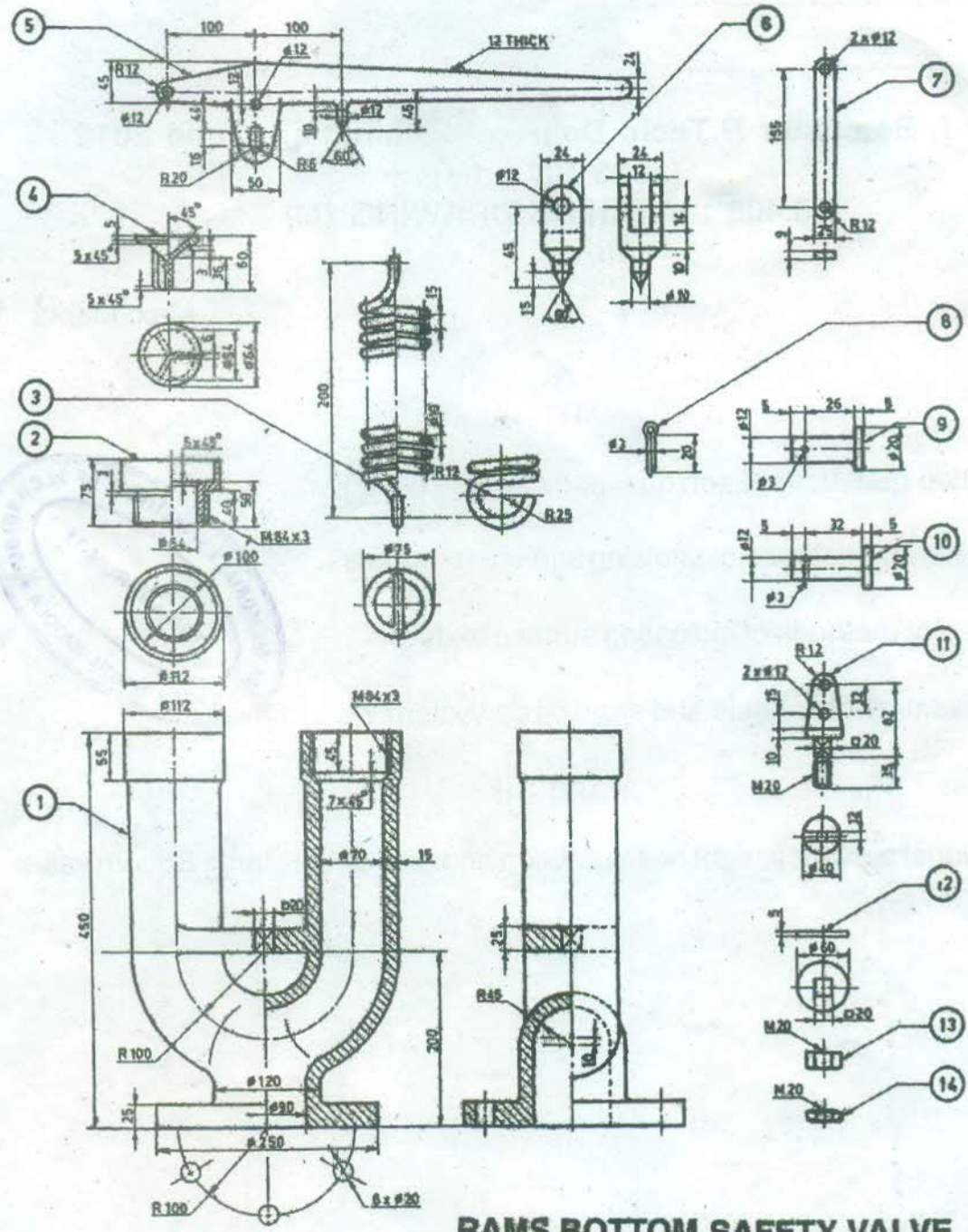


10  
10  
10

**PART – B**

4. Draw sectional elevation, right half in section and plan of the Rams Bottom valve shown in figure.

80



RAMS BOTTOM SAFETY VALVE